

# The Tap Shop 100019 Basin Tap Installation Instruction

fuartē

## General Instructions:

1. To be installed in accordance with the laws of the local authority.
2. All taps are double flow and must have an independent hot & cold water connection. Water must be supplied at balanced pressure. Please turn off the water supply before fitting.
3. The tap should be installed by a fully qualified individual.
4. Please ensure the water pipes are flushed and free of debris before installation.
5. Do not over tighten the flexible hose as you may damage the O rings.
6. Ensure that the tap is tested for leaks after fitting and the hot and cold markings reflect the pipe inlets.
7. Please check the finish for blemishes on receipt. Any defects reported after fitting will be regarded as damage resulting from the installation process, misuse or poor maintenance and will not be claimable under warranty.

## Installation Instructions:

1. We recommend the fitting of isolation valves to the inlet feeds for ease of future maintenance.
2. Insert the seal or decorative plate under the base of the tap & screw the threaded bolt into the tap/faucet.
3. Screw the two flexible hoses into the tap/faucet body. Tighten well, but do not over tighten.
4. Insert the tap hose tails into the basin from the top. Ensure the seal/plate remains in place under the tap.
5. From below the basin, insert the rubber gasket & plastic washer (not on all models) over the threaded bolt.
6. Carefully tighten the nut over the threaded bolt. Ensure the tap is in the correct place when tightening.
7. Connect the flexi hose tails to the supply, ensuring the hot supply is connected to the hot side of the tap. The hot side will be connected to the left hand side as you look at the tap.
8. After fitting, let the tap run for a few minutes to flush out any debris.
9. Check there are no leaks from the fitting.

## Aftercare:

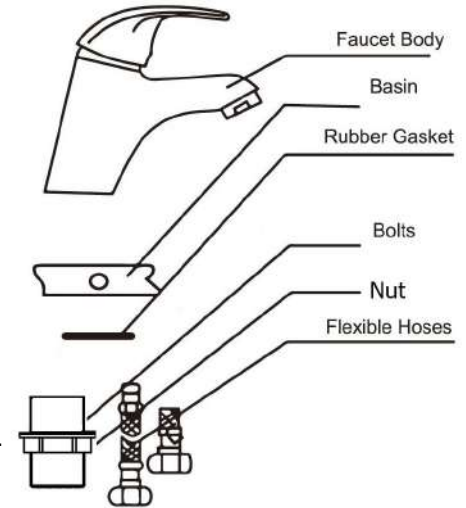
1. Please use only a soft cloth and warm water with a neutral soap when cleaning the tap to avoid damaging the finish. The finish is durable but can be damaged by certain cleaners.

## Specifications - If the product is installed outside these specifications it may not work.

Pressure - 0.5 to 5 bar.

Maximum Temperature: 80°C.

Installing filters is recommended.



All images are for illustrative purposes only. Product may vary.



Tighten By  
Hand Only

